

2019-2020 Dodge Durango Pursuit Upfit Guide



SAFETY NOTICE

This publication's purpose is to provide technical training information to individuals in the automotive trade. All test and repair procedures must be performed in accordance with manufacturer's service and diagnostic manuals. All warnings, cautions, and notes must be observed for safety reasons. The following is a list of general guidelines:

- Proper service and repair is critical to the safe, reliable operation of all motor vehicles.
- The information in this publication has been developed for service personnel, and can help when diagnosing and performing vehicle repairs.
- Some service procedures require the use of special tools. These special tools must be used as recommended throughout this Technical Training Publication, the diagnostic manual, and the service manual.
- Special attention should be exercised when working with spring- or tension-loaded fasteners and devices such as E-Clips, cir-clips, snap rings, etc. Careless removal may cause personal injury.
- Always wear safety goggles when working on vehicles or vehicle components.
- Improper service methods may damage the vehicle or render it unsafe.
- Observe all warnings to avoid the risk of personal injury.
- Observe all cautions to avoid damage to equipment and vehicles.
- Notes are intended to add clarity and should help make your job easier.

Cautions and warnings cover only the situations and procedures FCA has encountered and recommended. Neither FCA GROUP nor its subsidiaries or affiliates can know, evaluate, and advise the service trade of all conceivable ways in which service may be performed, or of the possible hazards for each. Consequently, FCA GROUP and its subsidiaries and affiliates have not undertaken any such broad service review. Accordingly, anyone who used a service procedure or tool that is not recommended in this publication must be certain that neither personal safety, nor vehicle safety, is jeopardized by the service methods they select.

No part of this publication may be reproduced, stored in a retrieval system or transmitted, in any form or by any means, electronic, mechanical, photocopying, recording, or otherwise, without the prior written permission of FCA GROUP.

FCA GROUP reserves the right to make changes from time to time, without notice or obligation, in prices, specifications, colors and materials, and to change or discontinue models. See your dealer for the latest information.

TABLE OF CONTENTS

ABOUT THIS GUIDE	1
FCA FLEET WEBSITE.....	2
VEHICLE DIMENSIONS.....	3
ELECTRICAL.....	4
CAN Communication and Cybersecurity.....	4
Basic Electrical Tips	5
Fuses / Power Distribution Centers	7
Power and Ground	11
Pass Through Grommet.....	18
Transmission Park Signal.....	20
Horn Signal	23
LIGHTING.....	25
Police Dome Lamp.....	25
Spot Lamp(s).....	26
RESTRAINTS.....	28
Occupant Restraint System Overview.....	28
Driver Airbag (DAB) Deployment Zone	29
Side Curtain Airbag Deployment Zone.....	36
Side Airbag Deployment Zone.....	38
Occupant Restraint System Wiring	39
Occupant Restraint System Verification	39
VEHICLE STORAGE.....	40
General Storage Recommendations	40
Battery Maintenance	41
Shipping Mode	42

ABOUT THIS GUIDE



Figure 1: Dodge Durango Pursuit Interior with aftermarket equipment

This guide has been assembled to give facilities technical information on the Dodge Durango Pursuit vehicle that may be required when installing accessories or equipment for use in fleet applications. Not all vehicles purchased are equipped with the same accessories, so there may be items covered in this guide that are not featured on the vehicle purchased by your department.

FCA FLEET WEBSITE

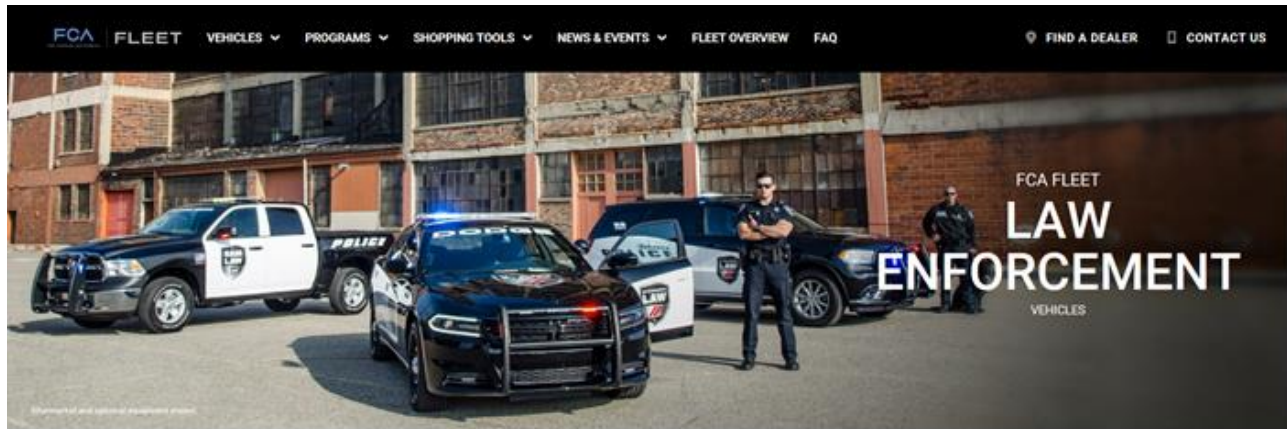


Figure 2: FCA Fleet Website

The FCA Fleet website is another resource for up-to-date specification information on the Dodge Durango Pursuit and other fleet vehicles. An electronic copy of additional upfitter information, as well as options and service recommendations, are also found at www.fcausfleet.com.

VEHICLE DIMENSIONS

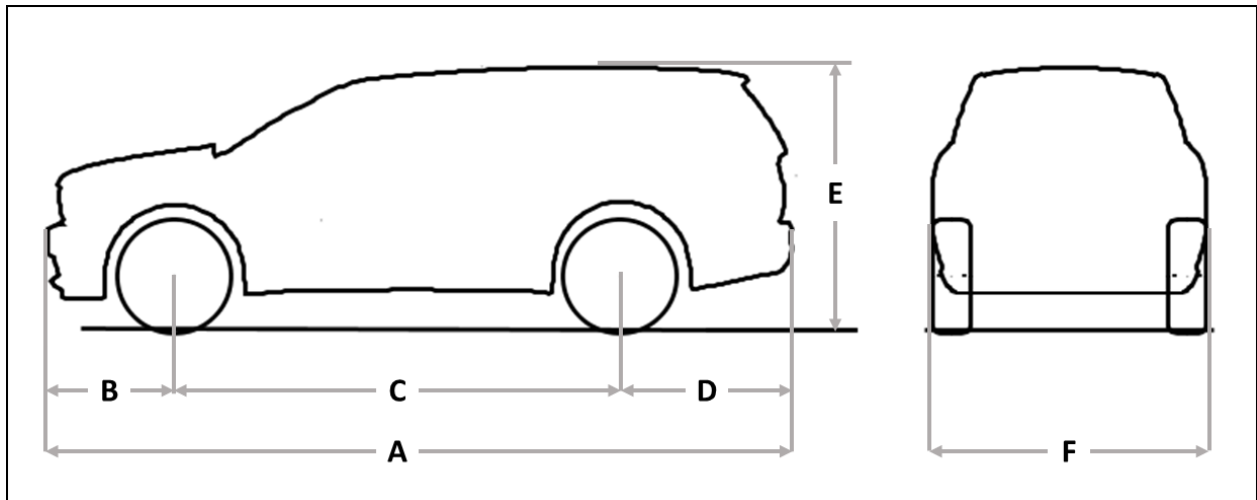


Figure 3: Vehicle Dimensions

A. Length	5082 mm (200.1 in.)
B. Front overhang	869 mm (34.2 in.)
C. Wheelbase	3042 mm (119.8 in.)
D. Rear overhang	1171 mm (46.1 in.)
E. Height	1850 mm (72.8 in.)
F. Width	1910 mm (75.2 in.)

ELECTRICAL

CAN Communication and Cybersecurity

In 2018 and newer vehicles, the vehicle security gateway blocks unauthorized CAN communication from the vehicle diagnostic connector. Legislated/regulated diagnostic modes \$01-\$0A under SAE J1979 are still fully supported for aftermarket tools.

NOTE: There are sensors for the keyless entry and antilock brake systems, and an occupant restraint controller located under the console. Make sure during upfit that the sensors are not repositioned. Sensor placement is critical for proper system operation.

NOTE: Do not remove the occupant restraint controller without first disconnecting the battery and waiting two minutes. Follow information in TechCONNECT for disabling restraint system. Failure to do so could cause airbag deployment.

Basic Electrical Tips

ISO Relays

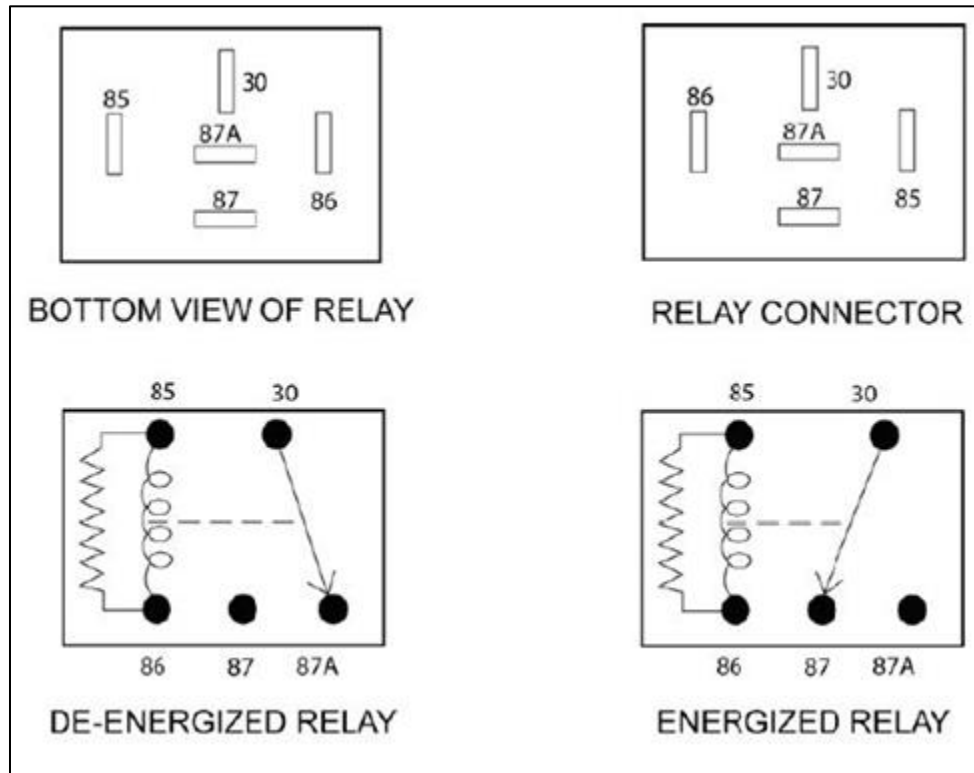


Figure 4: ISO Relays

ISO relays conform to the specifications of the International Organization for Standardization for common size and terminal pattern. ISO relays are used in many applications such as the starter, horn, electric fan, air conditioning clutch, auto shut down, and fuel pump circuits.

Relay connection terminals are defined as follows:

- Terminal 30 is usually connected to battery voltage. This battery voltage source can be switched on or off by the ignition switch, or un-switched, connected directly to the battery.
- Terminal 87A is connected to Terminal 30 in the de-energized position.
- Terminal 87 is connected to Terminal 30 in the energized position. When energized, the relay supplies battery voltage to Terminal 87, or removes battery voltage from a device connected to Terminal 87A.
- Terminal 86 is connected to the electromagnet and is usually connected to a switched battery voltage source.
- Terminal 85 is connected to the electromagnet and is usually connected to a switched or unswitched ground

Micro Relays

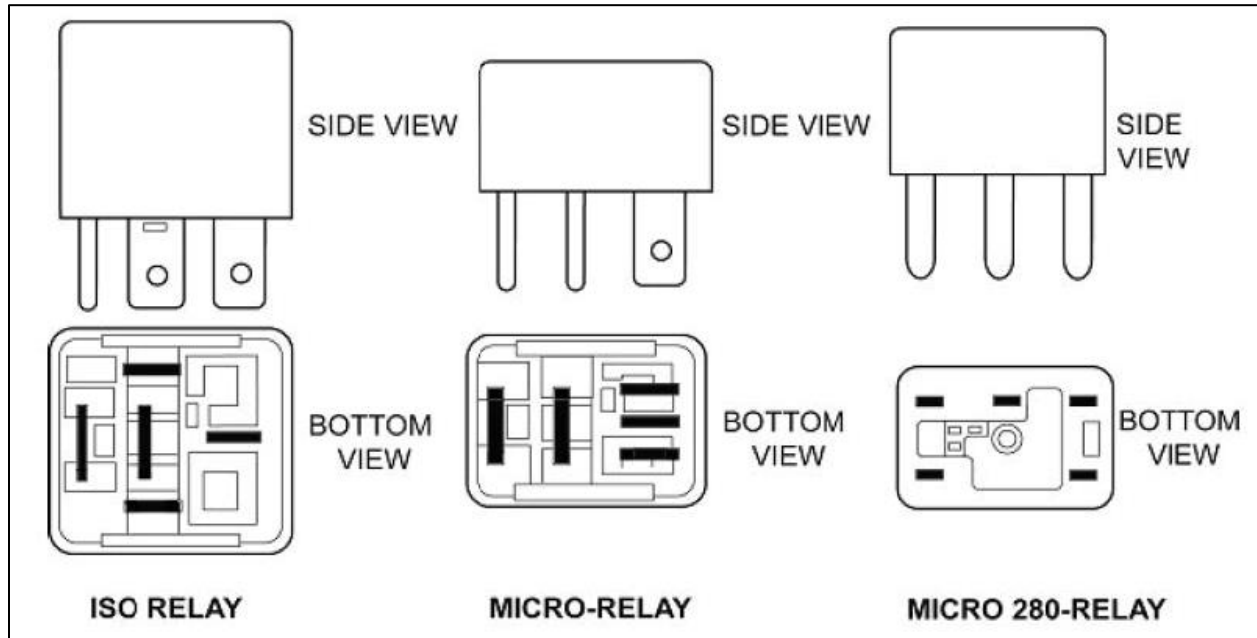


Figure 5: Micro Relays

Micro relays and micro 280 relays perform the same function as ISO relays but are smaller in size and have different terminal patterns. A map of the pattern and terminal identification is usually located on the top or side of the relay.

Fuses / Power Distribution Centers

There are two fuse and relay locations on the vehicle for the standard electrical systems. The fuse values and positions for the standard electrical systems are described below.

CAUTION: When installing the Power Distribution Center (PDC) cover, make sure it is properly positioned and latched to prevent water from getting into the PDC and causing an electrical system failure. When replacing a blown fuse, use only a fuse having the correct amperage rating. The use of a fuse with a rating other than indicated may result in an electrical system overload. If a properly rated fuse continues to blow, it indicates a problem in the circuit that must be corrected.

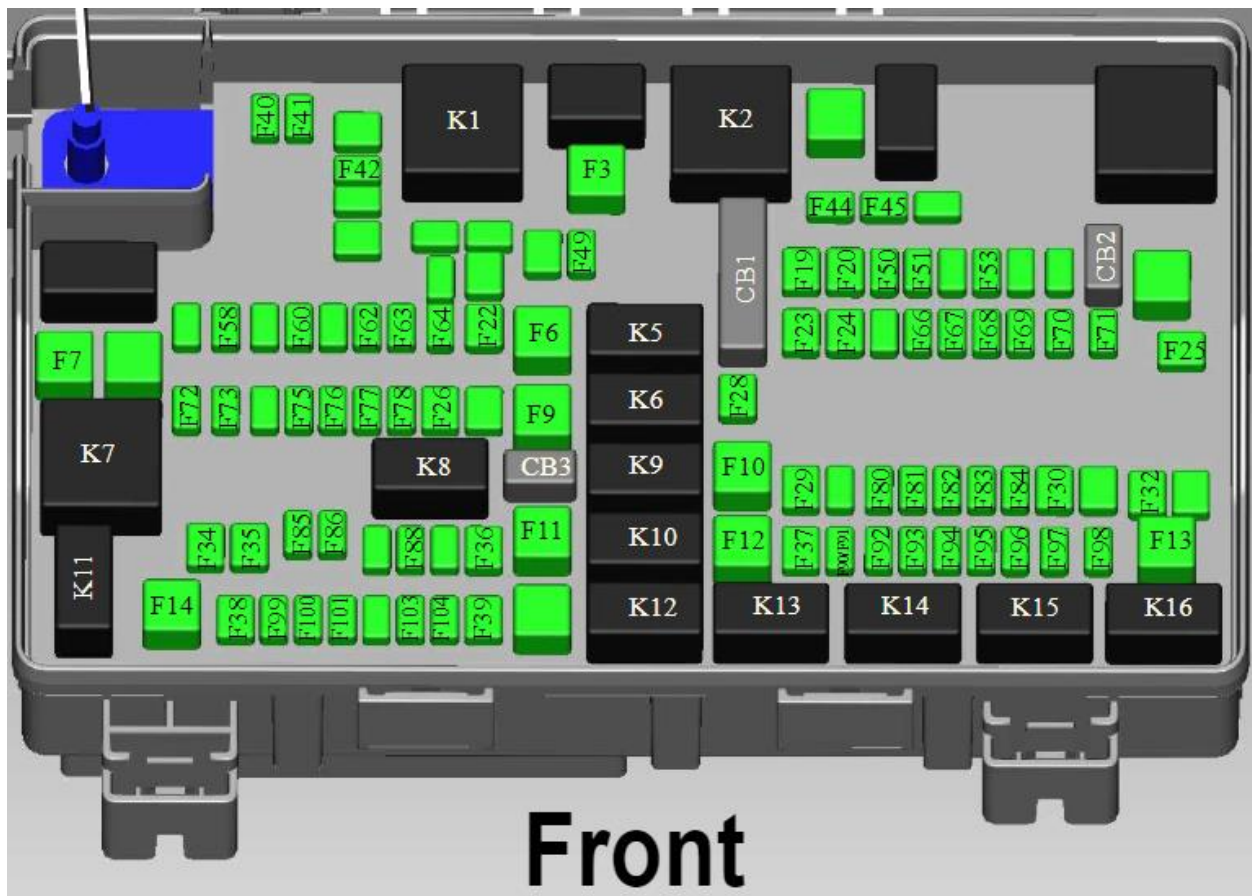


Figure 6: Underhood PDC

Table 1: Underhood Fuses

Note: Fuse specifications may vary slightly from the table below, refer to the vehicle owner's manual or service information for the most current information.

Cavity	Cartridge Fuse	Micro Fuse	Description
F03	60 Amp Yellow	—	Radiator Fan
F05	40 Amp Green	—	Compressor for Air Suspension — If Equipped
F06	40 Amp Green	—	Anti-lock Brakes/Electronic Stability Control Pump
F07	30 Amp Pink	—	Starter Solenoid

Cavity	Cartridge Fuse	Micro Fuse	Description
F09	30 Amp Pink	—	Diesel Fuel Heater (Diesel Engine Only)/Brake Vacuum Pump
F10	40 Amp Green	—	Body Controller/Exterior Lighting #2
F11	30 Amp Pink	—	Trailer Tow Electric Brake — If Equipped
F12	40 Amp Green	—	Body Controller #3/Power Locks
F13	40 Amp Green	—	Blower Motor Front
F14	40 Amp Green	—	Body Controller #4/Exterior Lighting #1
F15	40 Amp Green	—	LTR (Low Temperature Radiator) Engine Cooling Pump
F17	30 Amp Pink	—	Headlamp Washer — If Equipped
F19	20 Amp Blue	—	Headrest Solenoid — If Equipped
F20	30 Amp Pink	—	Passenger Door Module
F22	20 Amp Blue	—	Engine Control Module
F23	30 Amp Pink	—	Interior Lights #1
F24	30 Amp Pink	—	Driver Door Module
F25	30 Amp Pink	—	Front Wipers
F26	30 Amp Pink	—	Anti-lock Brakes/Stability Control Module/Valves
F28	20 Amp Blue	—	Trailer Tow Backup Lights — If Equipped
F29	20 Amp Blue	—	Trailer Tow Parking Lights — If Equipped
F30	30 Amp Pink	—	Trailer Tow Receptacle — If Equipped
F32	30 Amp Pink	—	Drive Train Control Module
F34	30 Amp Pink	—	Slip Differential Control
F35	30 Amp Pink	—	Sunroof - If Equipped
F36	30 Amp Pink	—	Rear Defroster
F37	25 Amp Clear	—	Rear Blower Motor — If Equipped
F38	30 Amp Pink	—	Power Inverter 115V AC — If Equipped
F39	30 Amp Pink	—	Power Liftgate — If Equipped
F40	—	10 Amp Red	Daytime Running Lights/Headlamp Leveling
F42	—	20 Amp Yellow	Horn
F44	—	10 Amp Red	Diagnostic Port
F45	—	5 Amp Tan	Cyber Security Gateway
F49	—	10 Amp Red	Integrated Central Stack/Climate Control
F50	—	20 Amp Yellow	Air Suspension Control Module/Slip Differential
F51	—	15 Amp Blue	Ignition Node Module/Keyless Ignition/Steering Column Lock
F53	—	20 Amp Yellow	Trailer Tow – Left Turn/Stop Lights — If Equipped
F56	—	15 Amp Blue	Additional Content (Diesel engine only)
F57	—	20 Amp Yellow	NOX Sensor
F58	—	15 Amp Blue	HID Headlamps LH — If Equipped
F59	—	10 Amp Red	Purging Pump (Diesel engine only)
F60	—	15 Amp Blue	Transmission Control Module
F61	—	10 Amp Red	Transmission Control Module/PM Sensor (Diesel engine only)

Cavity	Cartridge Fuse	Micro Fuse	Description
F62	—	10 Amp Red	Air Conditioning Clutch
F63	—	20 Amp Yellow	Ignition Coils (Gas), Urea Heater (Diesel)
F64	—	25 Amp Clear	Fuel Injectors/Powertrain
F66	—	10 Amp Red	Sunroof/Passenger Window Switches/Rain Sensor
F67	—	15 Amp Blue	CD/DVD/Bluetooth Hands-free Module — If Equipped
F68	—	20 Amp Yellow	Rear Wiper Motor
F69	—	15 Amp Blue	Spotlight Feed
F70	—	20 Amp Yellow	Fuel Pump Motor
F71	—	30 Amp Green	Audio Amplifier
F72	—	10 Amp Red	PCM — If Equipped
F73	—	15 Amp Blue	HID Headlamp RH — If Equipped
F75	—	10 Amp Red	Dual Batt Control — If Equipped
F76	—	10 Amp Red	Anti-lock Brakes/Electronic Stability Control
F77	—	10 Amp Red	Drivetrain Control Module/Front Axle Disconnect Module
F78	—	10 Amp Red	Engine Control Module/Electric Power Steering
F80	—	10 Amp Red	Universal Garage Door Opener/Anti-Intrusion Module
F81	—	20 Amp Yellow	Trailer Tow Right Turn/Stop Lights
F82	—	10 Amp Red	Steering Column Control Module/Cruise Control/DTV
F83	—	10 Amp Red	Fuel Door
F84	—	15 Amp Blue	Switch Bank/Instrument Cluster
F85	—	10 Amp Red	Airbag Module
F86	—	10 Amp Red	Airbag Module
F87	—	10 Amp Red	Air Suspension — If Equipped
F88	—	15 Amp Blue	Instrument Panel Cluster/SGW
F90/F91	—	20 Amp Yellow	Power Outlet (Rear seats) Selectable
F92	—	10 Amp Red	Rear Console Lamp — If Equipped
F93	—	20 Amp Yellow	Cigar Lighter
F94	—	10 Amp Red	Shifter/Transfer Case Module
F95	—	10 Amp Red	Rear Camera/ParkSense
F96	—	10 Amp Red	Rear Seat Heater Switch — If Equipped
F97	—	20 Amp Yellow	Rear Heated Seats & Heated Steering Wheel — If Equipped
F98	—	20 Amp Yellow	Ventilated Seats/Front Heated Seats — If Equipped
F99	—	10 Amp Red	Climate Control/Driver Assistance Systems Module/DSRC
F100	—	10 Amp Red	Active Damping — If Equipped
F101	—	15 Amp Blue	Electrochromatic Mirror/Smart High Beams — If Equipped
F102	—	15 Amp Blue	Spare

Cavity	Cartridge Fuse	Micro Fuse	Description
F103	—	10 Amp Red	Cabin Heater (Diesel Engine Only)/Rear HVAC
F104	—	20 Amp Yellow	Power Outlets (Instrument Panel/Center Console)

Table 2: Underhood Relays

Note: Relay specifications may vary slightly from the table below, refer to the service information for the most current information.

Relay	Description
K01	Radiator Fan - Low
K02	Radiator Fan - High
K05	Auto Shut Down
K06	Run / Accessory 1
K07	Starter Solenoid 2
K08	Run / Start
K09	Vacuum Pump
K10	Rear Window Defogger
K11	Starter Solenoid 1
K12	Run 2
K13	Blower Motor - Rear
K14	Run / Accessory 2
K15	Run 1
K16	Blower Motor

Power and Ground

NOTE: All equipment circuits connecting to vehicle circuits should be protected with fuses and use industry accepted connection methods including weatherproofing where appropriate.

NOTE: Any circuits connecting to existing vehicle signal wires should be high impedance and/or isolated with relays to prevent unwanted interference with the vehicle signal. Wiring locations described herein are for information only and it is up to the installer to ensure that circuits chosen are suitable for the desired application and do not have a negative impact on vehicle operation.

12V battery power can be found in the cabin at the vehicle battery, located under the passenger seat. On V6 models with Stop/Start, the larger battery is used for cranking the engine and the smaller auxiliary battery is used to maintain electrical loads while the engine is in an autostop.



Figure 7: Battery Under Passenger Seat (V8 model shown)

12V battery power can also be found underhood at the remote jump start post, as shown in the figures below.

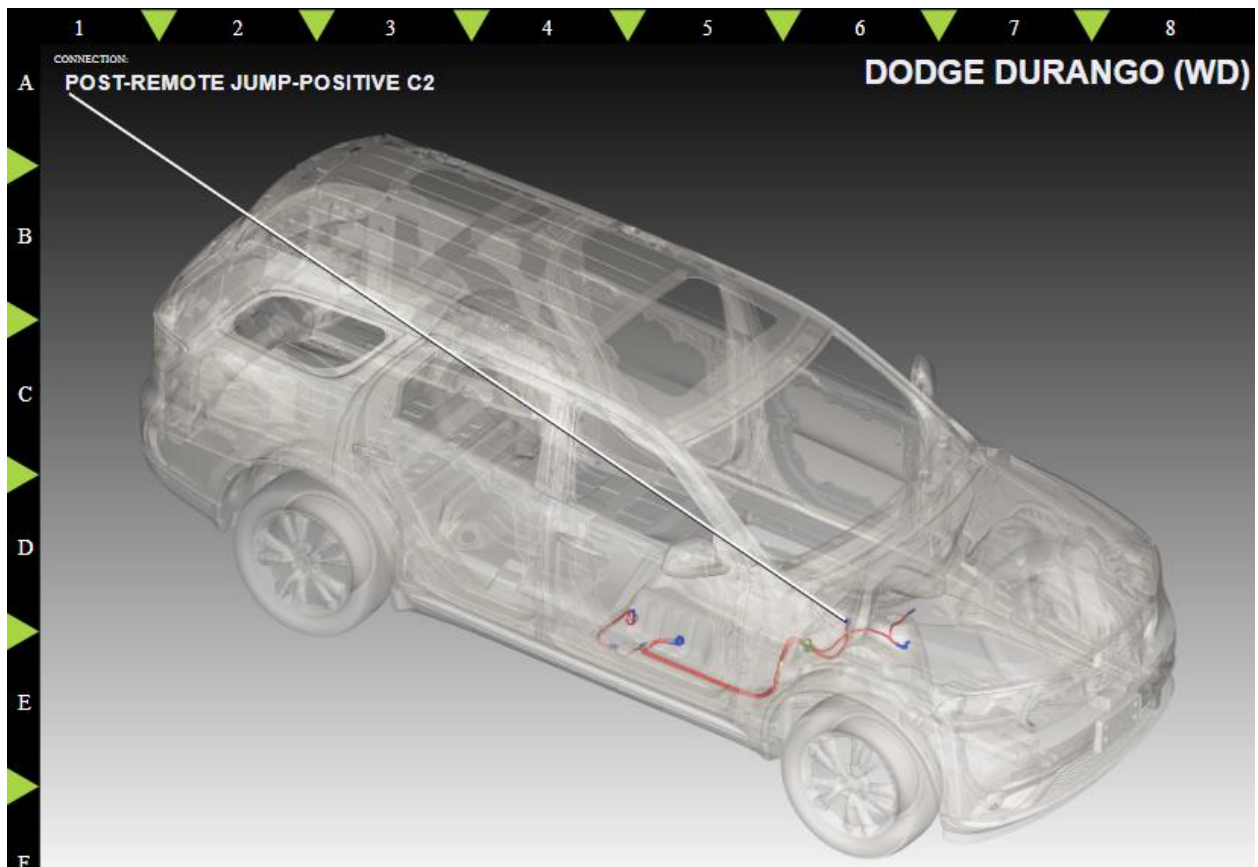


Figure 8: Underhood Jump Start Post

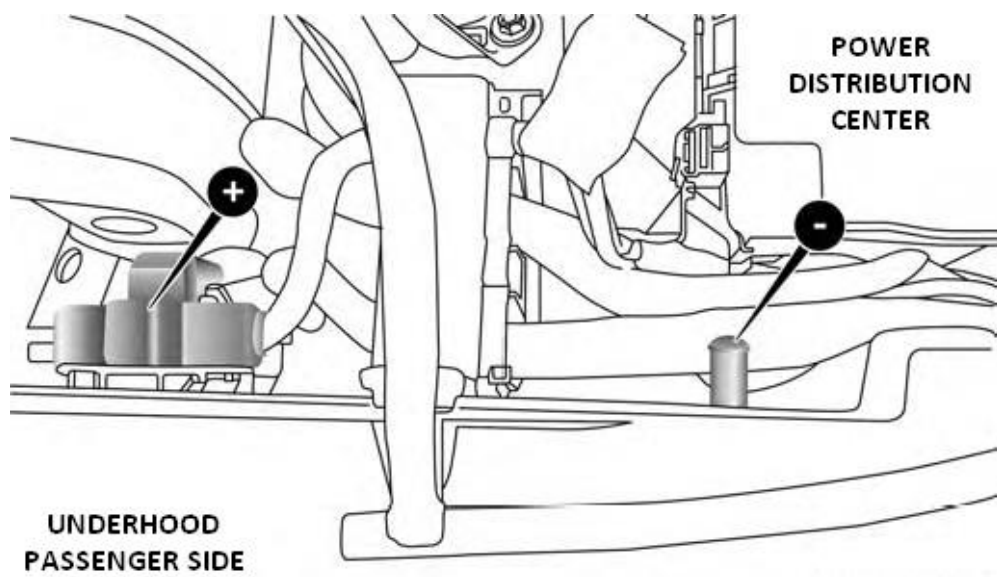


Figure 9: Positive and Negative Jump Start Posts

Ignition circuits can be found at 2 of the 3 aux power outlets in the cabin, which are each rated for 13A for customer use. They can be used to drive relays or low power loads as long as each does not exceed the rated current draw. The 3 aux power outlets are located:

1. At the bottom of the IP (powered with ignition on)
2. In the center console (powered from the battery)
3. In the rear cargo area, it is set up from the factory to be powered with ignition on, but by changing a fuse position in the underhood power distribution center (PDC) it can be changed to battery powered (see fuse F90/F91).

Ignition circuits underhood can be found at the IGN relays in the PDC, though it is recommended that splicing into PDC circuits be avoided to avoid disruption to factory installed vehicle electrical systems.

Multiple grounding locations can be found and are visible underhood. In the cabin, grounding locations can be found behind trim in the following locations:

1. Under the center console
2. At the vehicle battery under the passenger seat
3. Adjacent to the rear wheel wells, driver's and passenger's sides

See figures 10-13 on the following pages for ground locations.

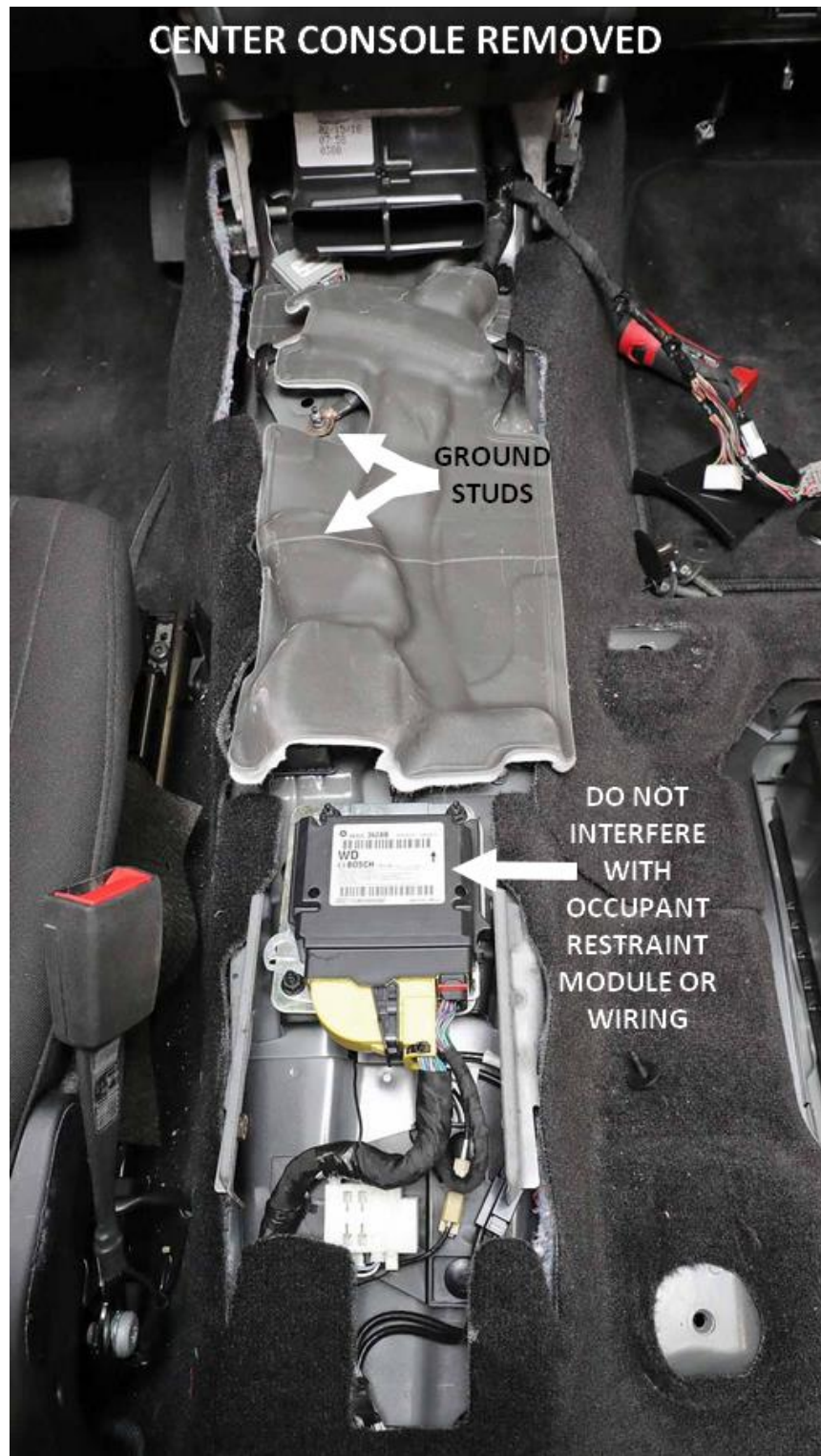


Figure 10: Center Console Grounding Locations



**Figure 11: Driver's Side C-Pillar Ground Location
(Passenger Side Similar)**



**Figure 12: Passenger's Side D-Pillar Ground Location
(Driver's Side Similar)**

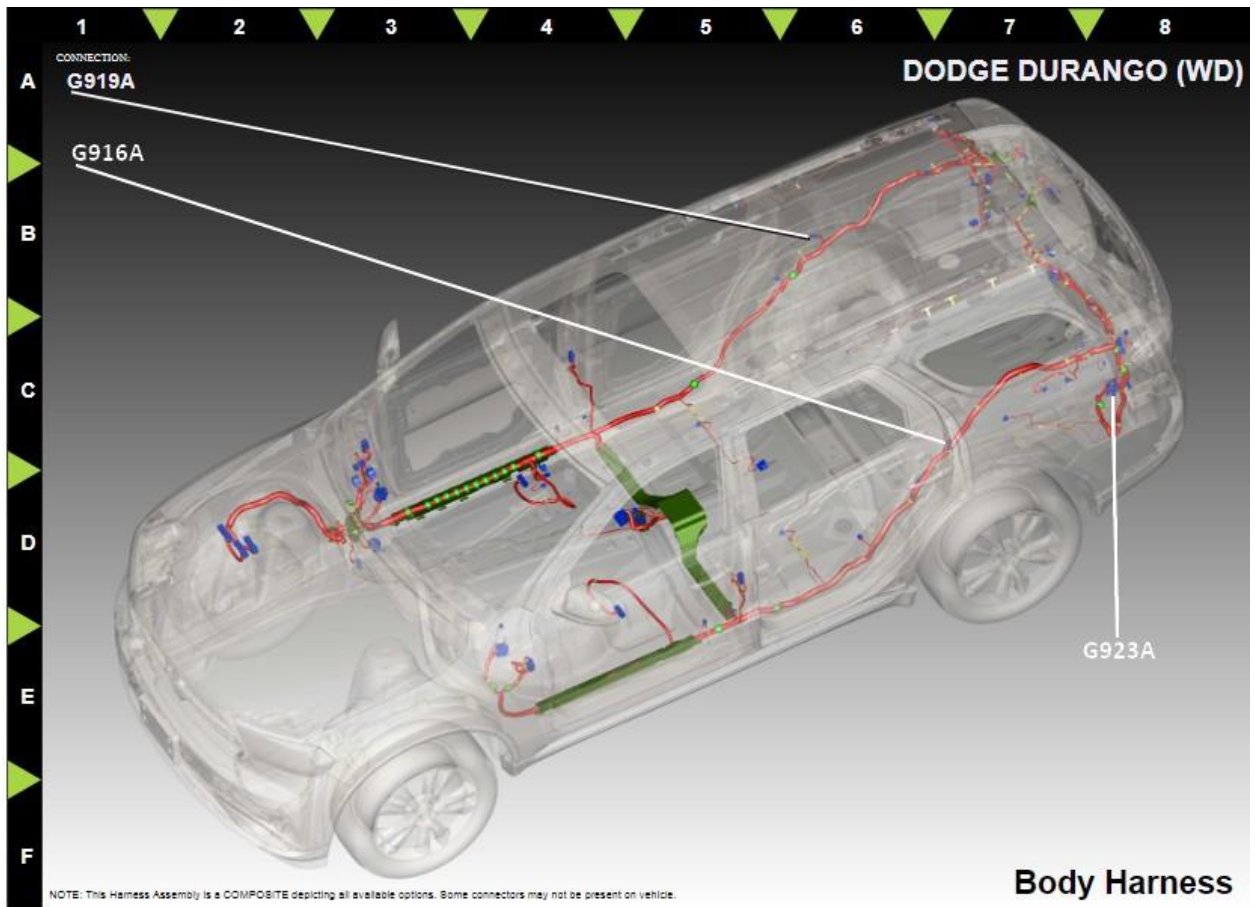


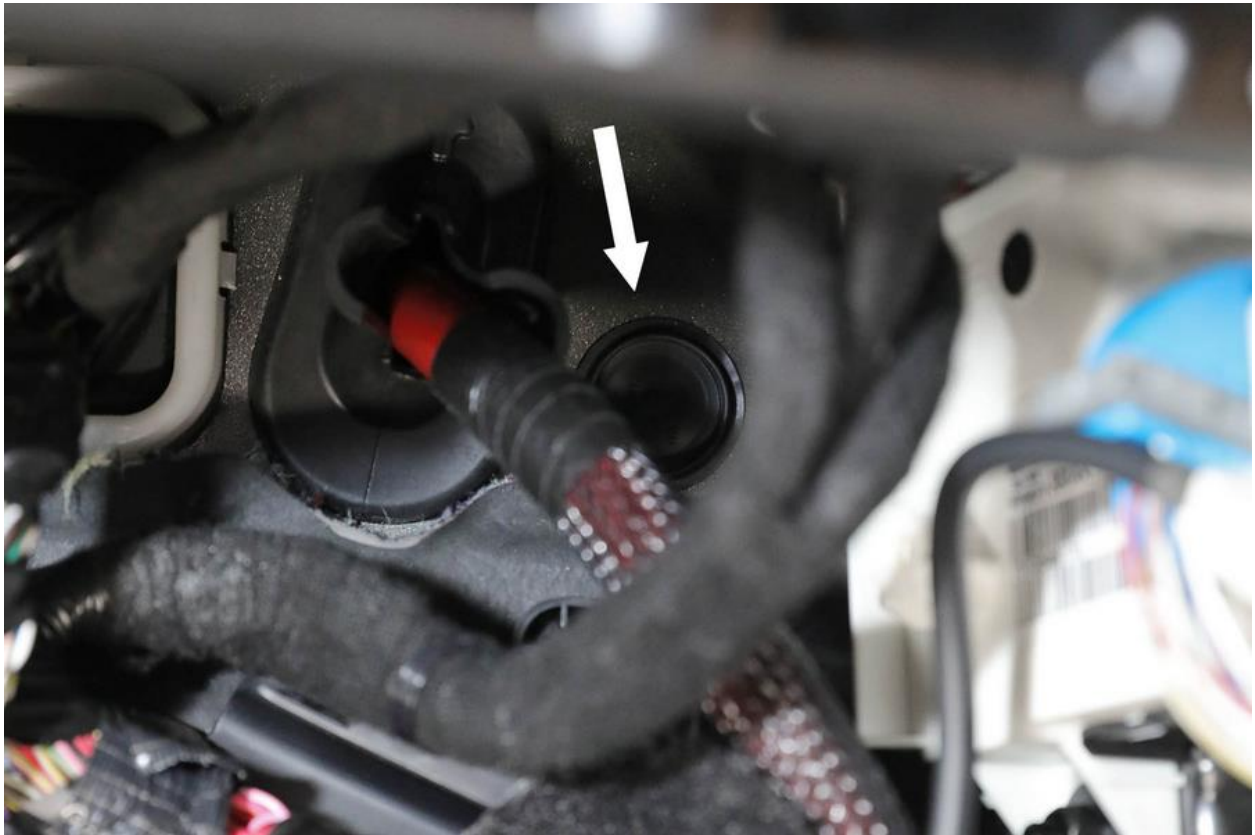
Figure 13: Cargo Area Grounding Locations

Pass Through Grommet

Many models have a pre-stamped hole through the front of dash that can be used for passing through wires for customer use. The hole is currently sealed with a grommet, and must be fully weather sealed if any wires are passed through.



Figure 14: Pass Through Grommet
(view from above in engine compartment, looking down in area behind the positive jump start post)



**Figure 15: Pass Through Grommet
(view from passenger footwell area with trim removed)**

Transmission Park Signal

The transmission range select (TRS) park signal is a yellow wire with blue tracer and can be picked up at the body control module (BCM) 24-way white connector C4/D cavity 24, the RF Hub connector C1 cavity 2, or at the inline between the body harness and the headlamp/dash harness (43-way connector with a lever lock) cavity 26. Figures 16-20 below show the locations of the BCM, RF Hub, and 43-way inline connector.

The TRS park signal provides ground while the transmission is in Park. The signal is only provided with the ignition on.



Figure 16:

1.	43-way inline body-headlamp/dash
2.	Body Control Module
3.	59-way inline body-IP

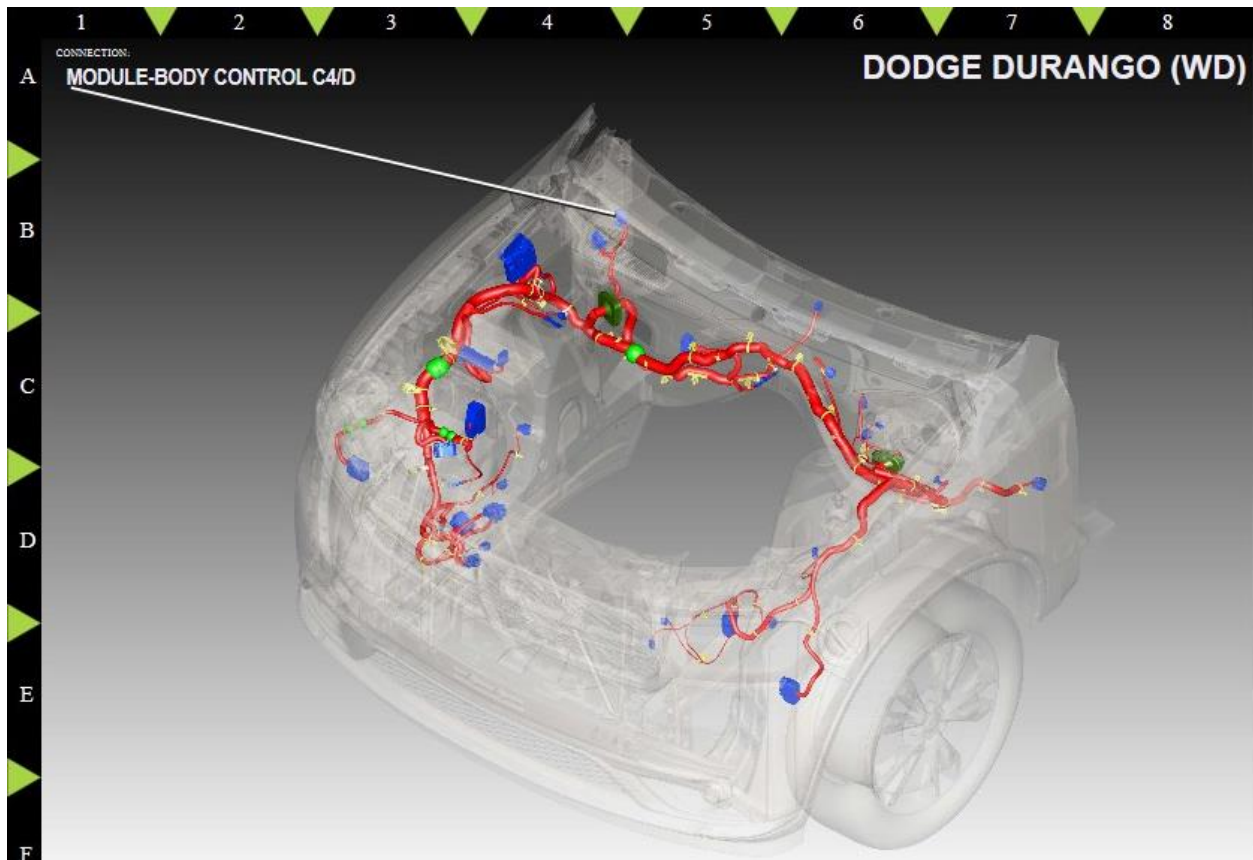
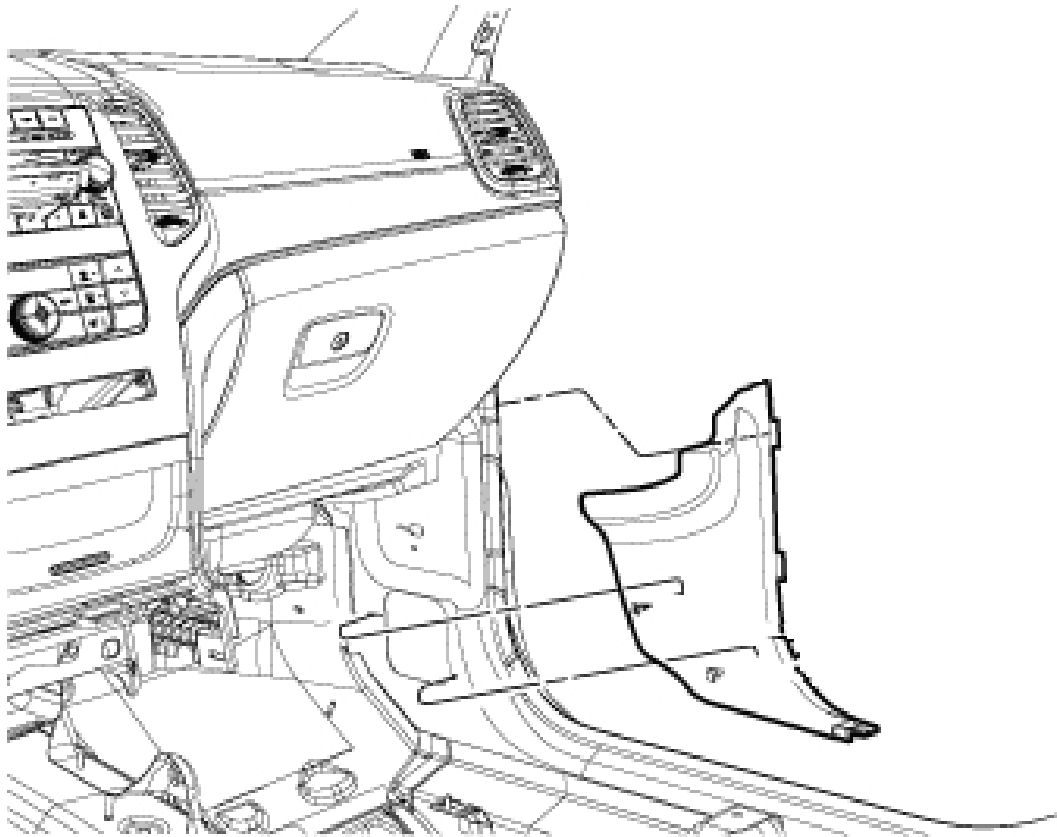


Figure 17: Body Control Module Location



2825353

Figure 18: Trim Panel Over Body Control Module

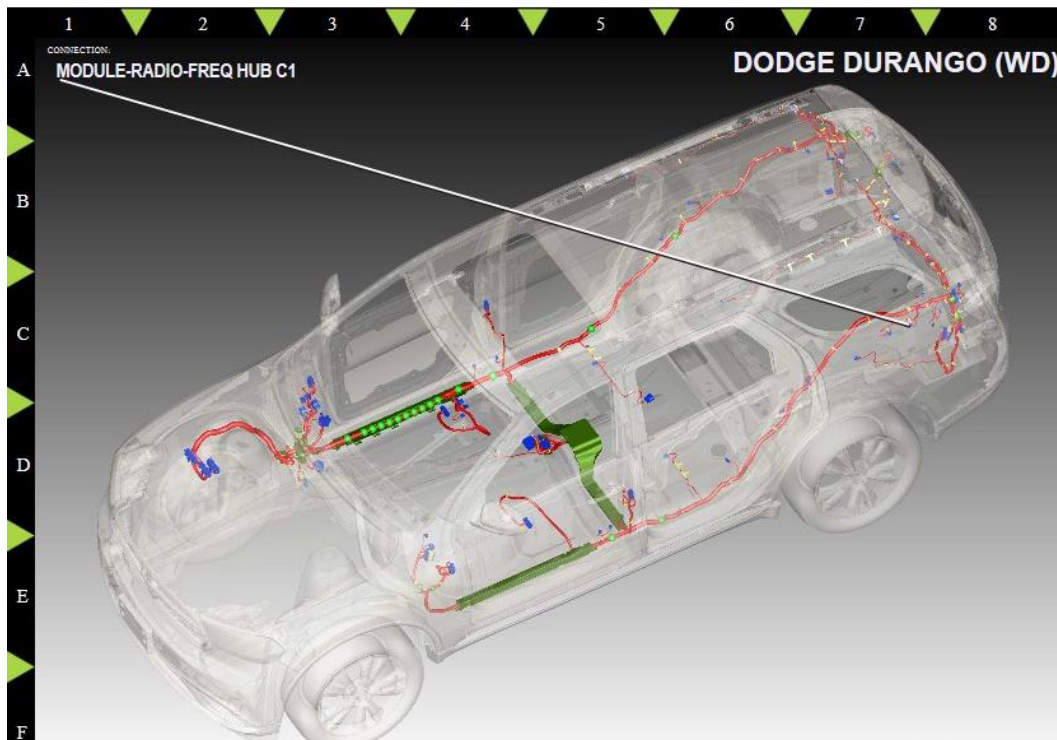


Figure 19: RF Hub Location



Figure 20: RF Hub Location

Horn Signal

The signal that is active when the steering wheel horn switch is being pressed is a dark green wire with a violet tracer at the BCM connector C6/F cavity 29. This same wire can be found in the 59-way inline between the body and IP harness in cavity 40. See the figures 16-18 above and figure 21 below for locations of the BCM and inline connector. This signal will show ground when the horn switch is pressed.

The signal that actually drives the horns (includes horn switch press, keyless entry chirps, panic or theft alarm sounding, etc.) can be found at one of the horns underhood or a dark green wire with a white tracer at the body controller connector C1/A cavity 23, or the 43-way inline between the body harness and the headlamp/dash harness cavity 19. See figures 16-18 above for locations of the BCM and inline connector. This signal will show battery voltage when the horn is being activated.

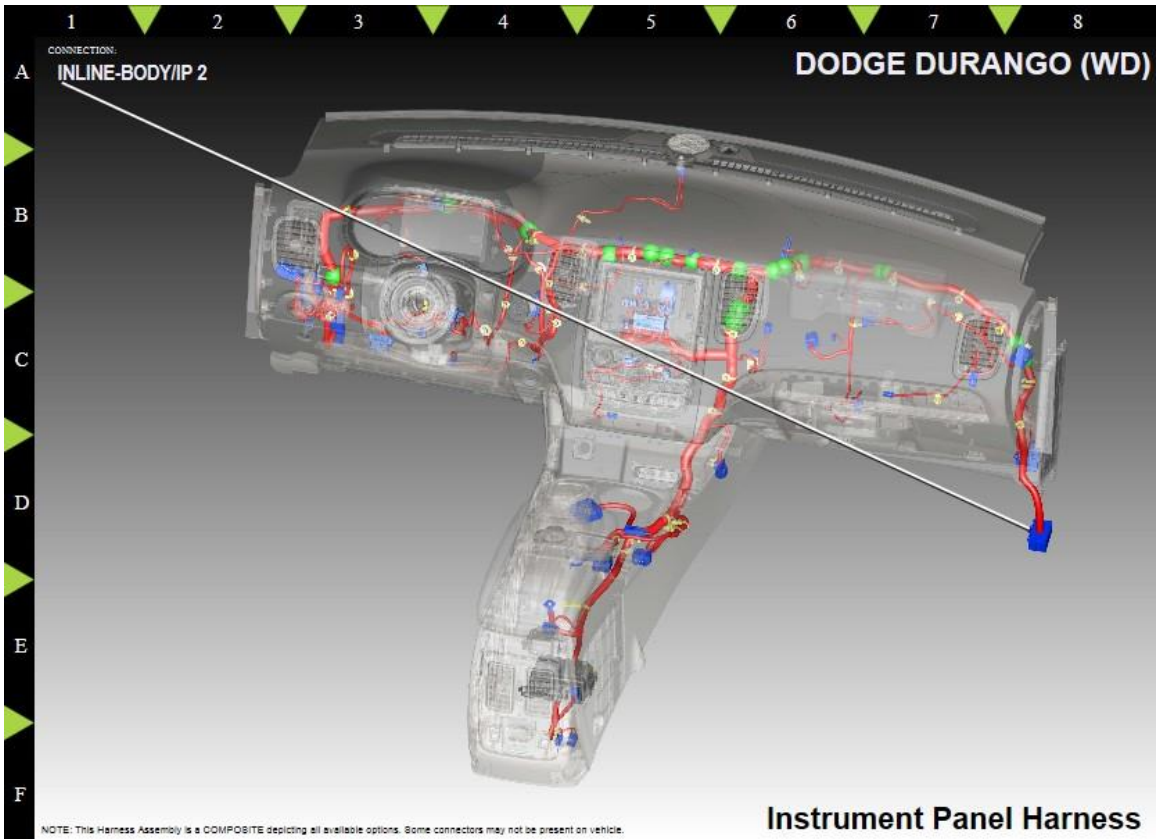


Figure 21: 59-way Inline Connector

LIGHTING

Police Dome Lamp



Figure 22: Police Dome Lamp

The police dome light switch has three positions. One side of the switch turns on white LED lights, the other side turns on red LED lights, and the center position turns the lamp OFF. Always remember to return the dome light switch to the OFF (center) position to prevent the vehicle battery from discharging.

Spot Lamp(s)



Figure 23: Spot Lamp

If you choose to install spot lamp(s), you can find an electrical connector at the forward edge of the headliner near the A-pillars, see figure 24 below. There are electrical connectors on both driver and passenger sides, and they are battery fed through a shared 15A fuse in the underhood PDC. Do not exceed 15A total for both spot lamps, if two are installed. LED bulbs are an effective way to reduce current requirements.

CAUTION: The side curtain airbag is tethered in the area of the spot lamp. If drilling and installing your own lamp, make sure the tether is not damaged during the install and is properly reattached when the installation is complete.

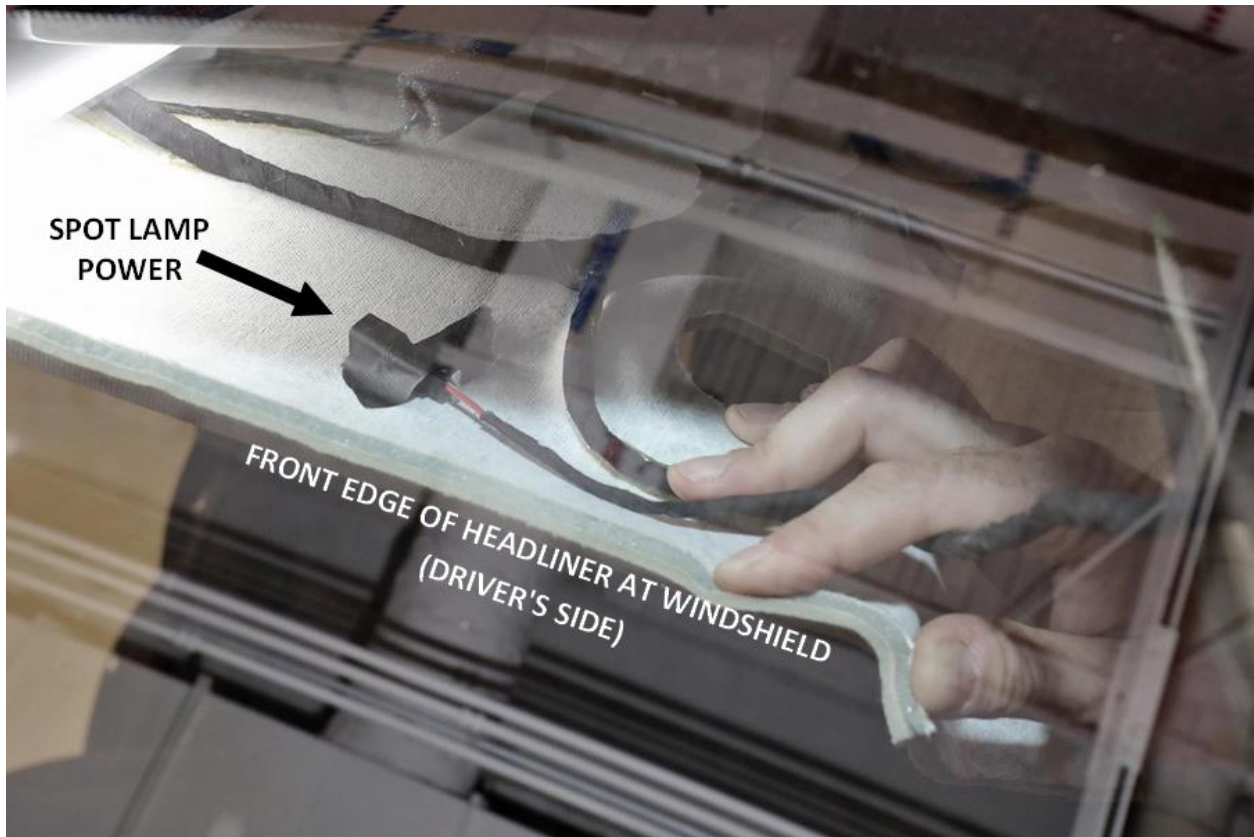


Figure 24: Spot Lamp Power Connector Taped Back Above Headliner

RESTRAINTS

Occupant Restraint System Overview

- WARNING:** INSTALLING A CONVENTIONAL PRISONER PARTITION IS NOT RECOMMENDED ON VEHICLES EQUIPPED WITH LEFT AND RIGHT SIDE CURTAIN AIRBAGS, AS POLICE CAGES MAY INTERFERE WITH THE DEPLOYING AIRBAG. THE AREA WHERE THE SIDE CURTAIN AIRBAG IS LOCATED SHOULD REMAIN FREE FROM ANY OBSTRUCTIONS. ONLY INSTALL A PARTITION THAT IS DESIGNED TO BE COMPATIBLE WITH SIDE CURTAIN AIRBAGS.
- WARNING:** IF YOUR VEHICLE IS EQUIPPED WITH LEFT AND RIGHT SIDE CURTAIN AIRBAGS, CARE MUST BE TAKEN WHEN INSTALLING ANY TYPE OF ROOF EQUIPMENT. DRILLING AND INSTALLATION OF FASTENERS OR OTHER EQUIPMENT THAT MAY INTERFERE WITH THE SIDE CURTAIN AIRBAGS AND AIRBAG WIRING HARNESSSES IS NOT PERMITTED. MAKE SURE THAT NO EQUIPMENT OR FASTENERS ARE LOCATED IN THE AIRBAG DEPLOYMENT ZONE.
- WARNING:** DO NOT PLACE OBJECTS, OR MOUNT EQUIPMENT, IN FRONT OF THE AIRBAG MODULE COVER OR IN FRONT OF THE SEAT AREAS THAT MAY COME IN CONTACT WITH A DEPLOYING AIRBAG. FAILURE TO FOLLOW THIS INSTRUCTION COULD RESULT IN PERSONAL INJURY.
- WARNING:** DO NOT PLACE DASH, TUNNEL, OR CONSOLE-MOUNTED EQUIPMENT OUTSIDE OF THE SPECIFIED ZONE. FAILURE TO FOLLOW THIS INSTRUCTION COULD RESULT IN PERSONAL INJURY.

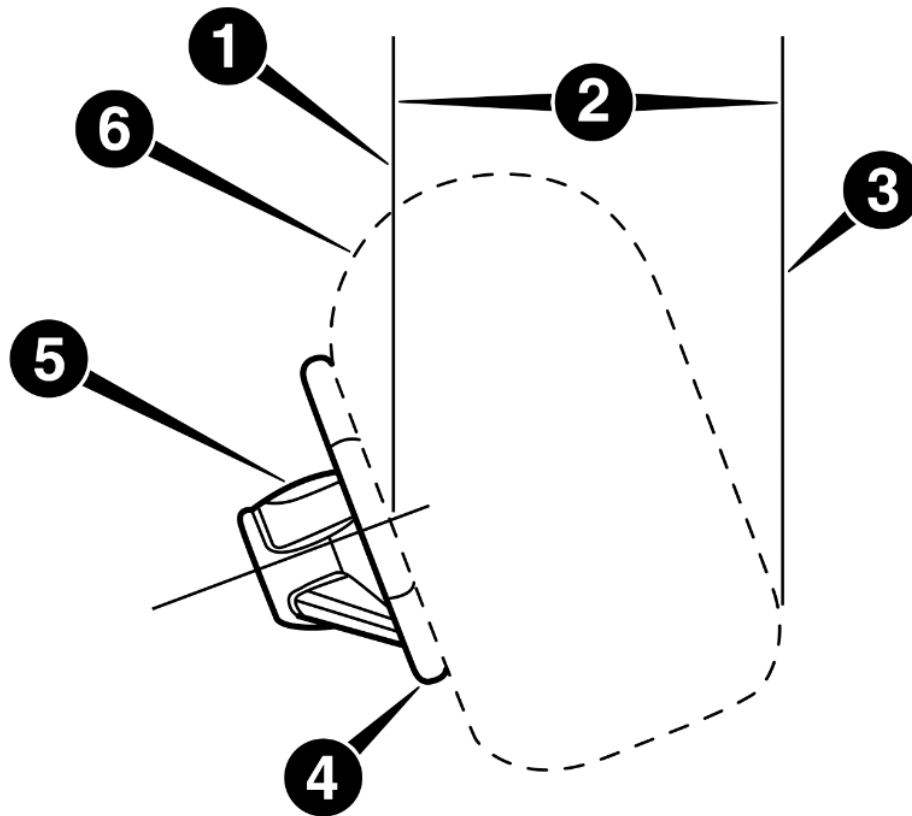
The occupant restraint system contains the following components:

- Occupant restraint controller (ORC) module
- Impact Sensors: left front, left side, right front, right side
- Seatbelt Tensioners: driver side, passenger side
- Airbags:
 - Driver airbag
 - Driver side (seat mounted) airbag
 - Driver side curtain airbag
 - Driver side knee airbag
 - Passenger airbag
 - Passenger side (seat mounted) airbag
 - Passenger side curtain airbag

There are four interior zones to be aware of:

- Driver airbag deployment zone
- Passenger airbag deployment zone
- Side curtain airbag deployment zone
- Side airbags (seat-mounted) deployment zone

Driver Airbag (DAB) Deployment Zone



1	Vertical Plane Passing Through the Center of the Steering Wheel	4	Steering Wheel
2	470 mm (18.5 in.)	5	Driver Airbag Retainer/Housing
3	Vertical Plane Passing Through the Maximum Rearward Point that the Driver Airbag Cushion Reaches	6	Driver Airbag Cushion

Figure 25: Driver Airbag Dimensions

NOTE: The illustration represents the maximum dynamic deployment shape.

Table 3: Driver Airbag Cushion Position

DAB (Driver Airbag) diameter when full	673 mm (26.5 in.)
DAB depth when full	381 mm (15 in.)
Maximum rearward displacement during fill	470 mm (18.5 in.)

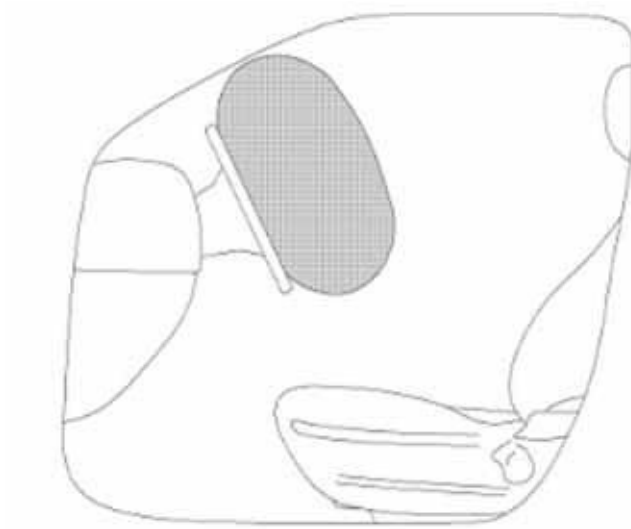
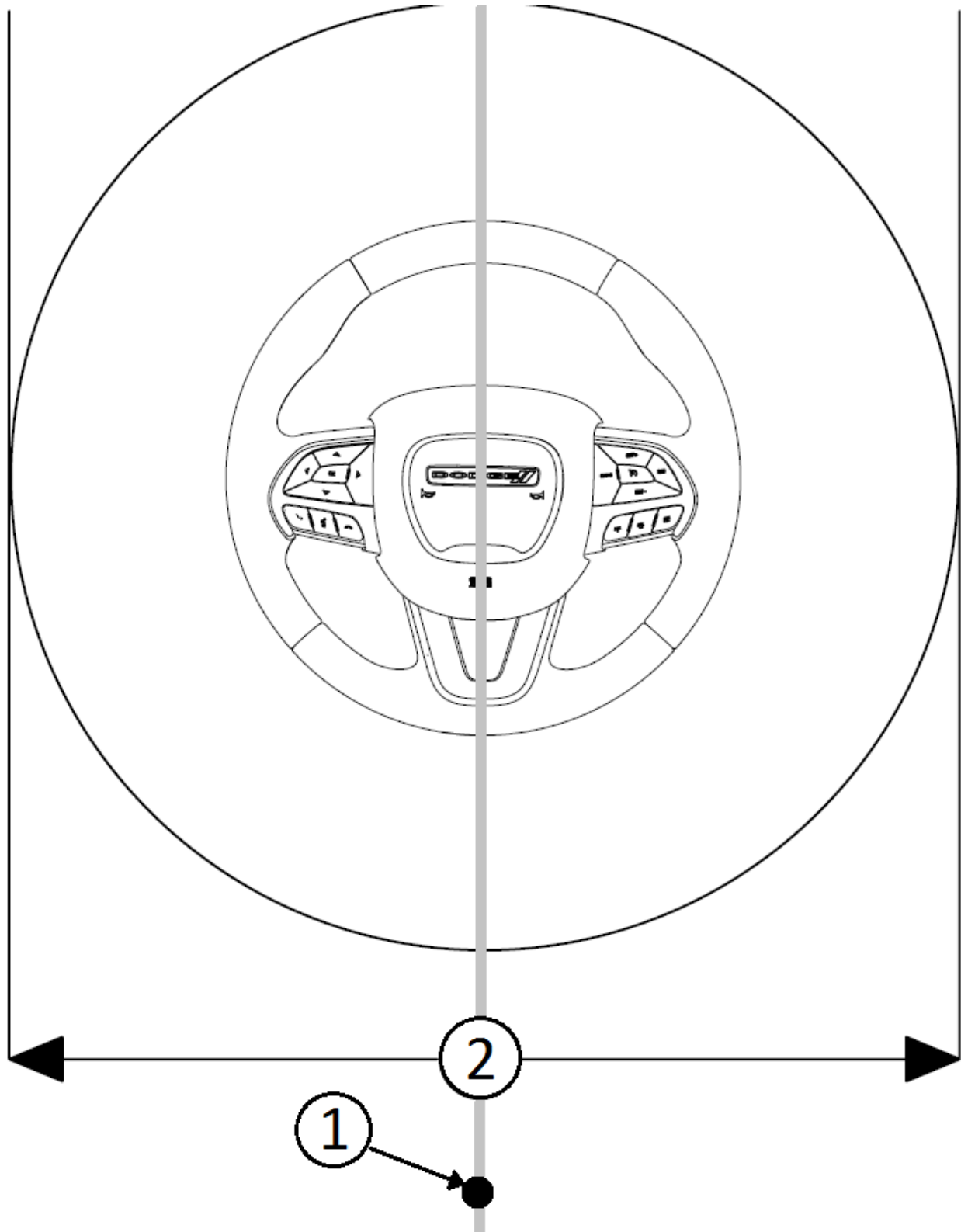


Figure 26: Driver Airbag Deployed Shape

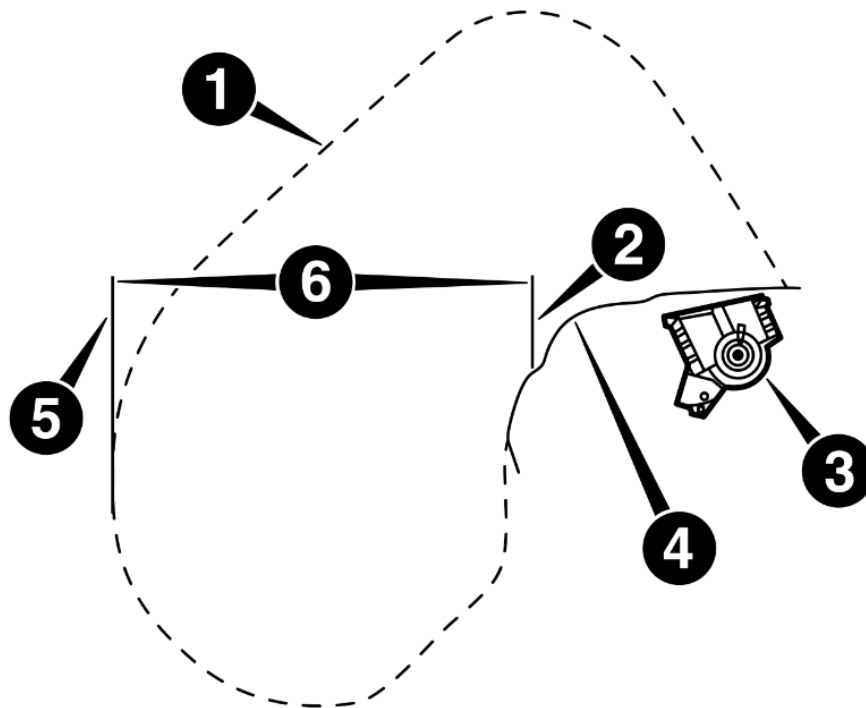
Table 4: Steering Column Tilt Position Range

± 2.5 degrees from steering column tilt pivot point
22.0 degrees from vertical is the normal position



1	Driver Seating Reference	2	Driver Airbag Cushion Lateral Deployment Zone 711mm (28 in.)
---	--------------------------	---	---

Figure 27: Deployment Zone



1	Passenger Airbag Cushion	4	Instrument Panel Surface
2	Vertical Plane from Rearmost Point of Instrument Panel	5	Vertical Plane Passing Through the Maximum Rearward Point That the Passenger Airbag Cushion Reaches
3	Passenger Airbag Module	6	450 mm (17.7 in.)

Figure 28: Passenger Airbag Deployment Zone

NOTE: The illustration represents the maximum dynamic deployment shape.

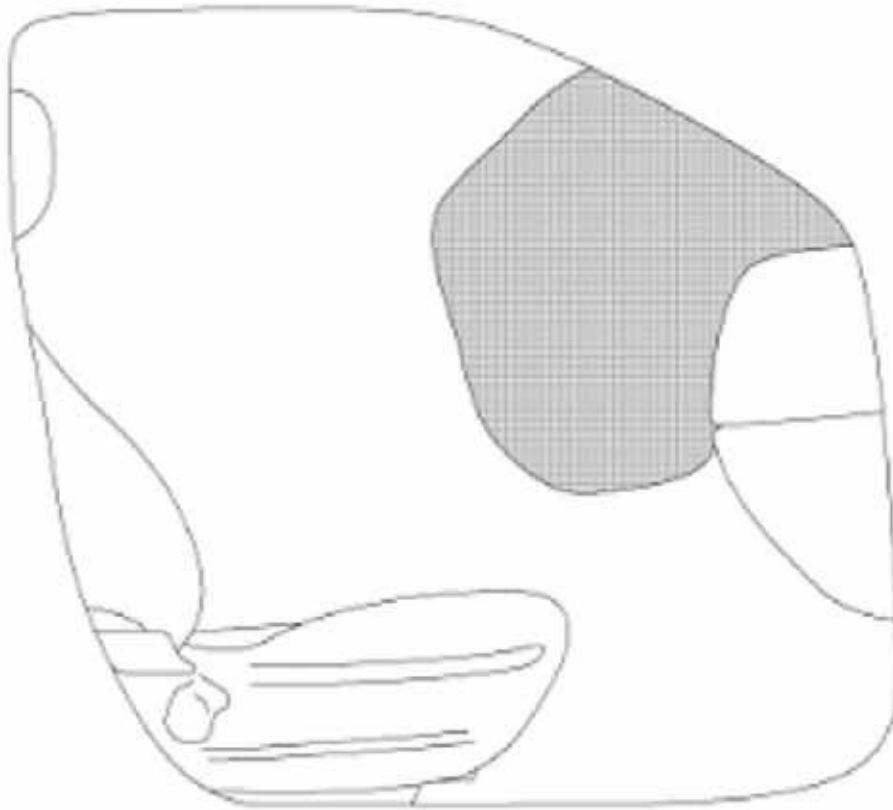
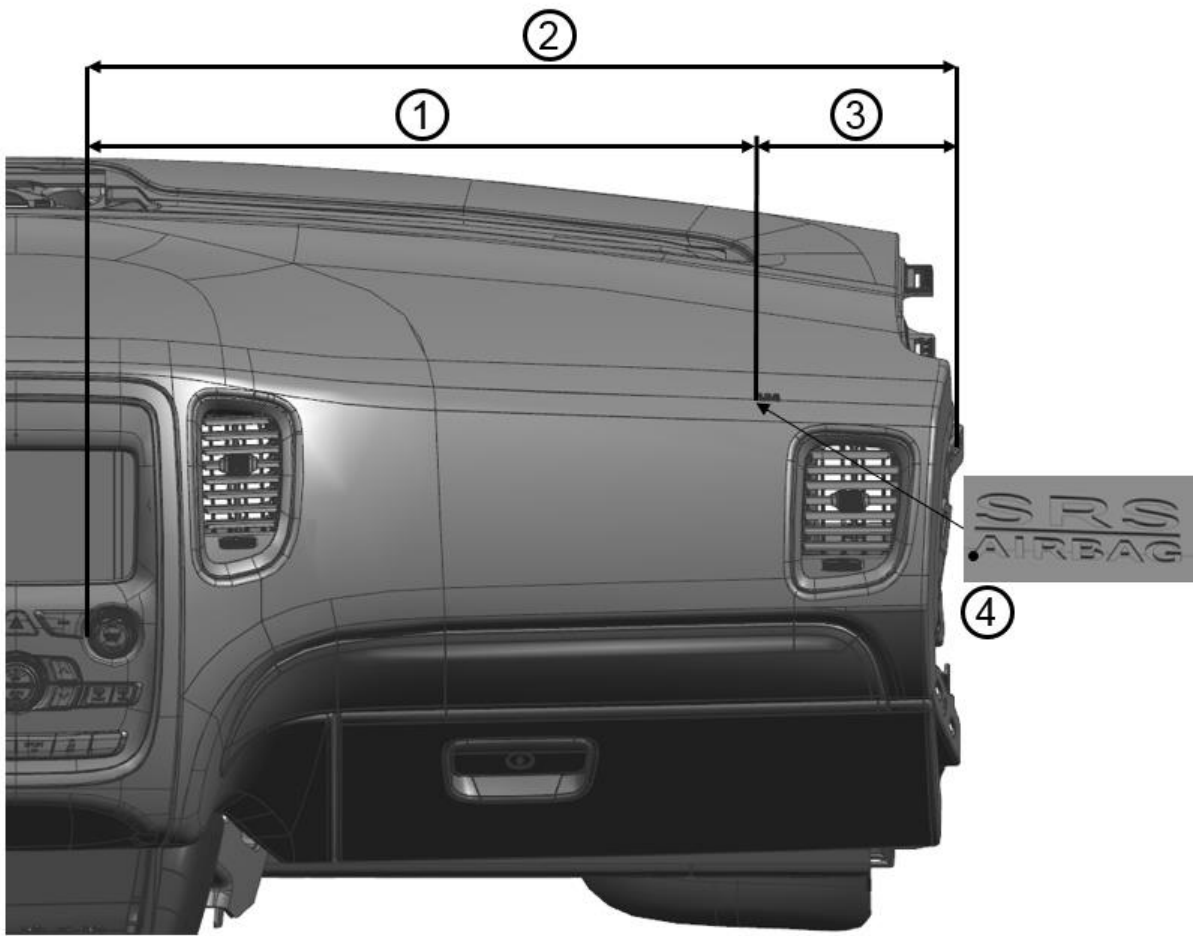


Figure 29: Final Deployment Shape



1	490 mm (19.3 in.)	3	151 mm (5.9 in.)
2	Passenger Airbag Deployment Zone	4	Reference Point

Figure 30: Deployment Zone

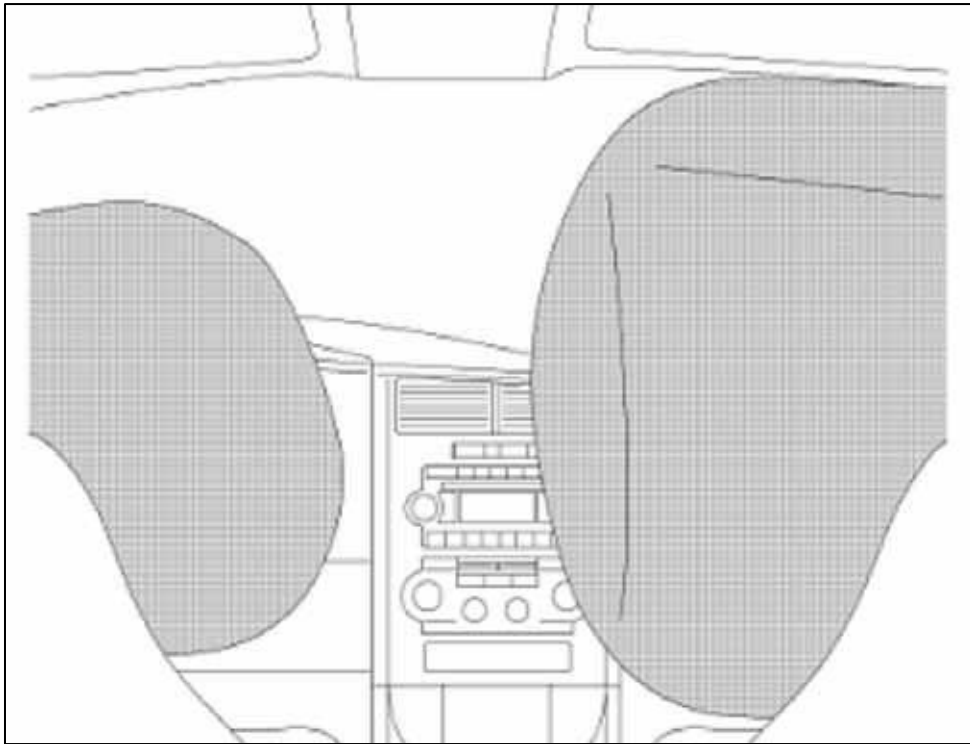


Figure 31: Center Interior Area

WARNING: MAKE SURE ADEQUATE SPACE IS AVAILABLE FOR AIRBAG DEPLOYMENT. MOUNTING ACCESSORIES AND EQUIPMENT INSIDE THE DEPLOYMENT ZONES IMPEDES AIRBAG DEPLOYMENT.

NOTE: The illustration represents the maximum dynamic deployment shape.

Side Curtain Airbag Deployment Zone

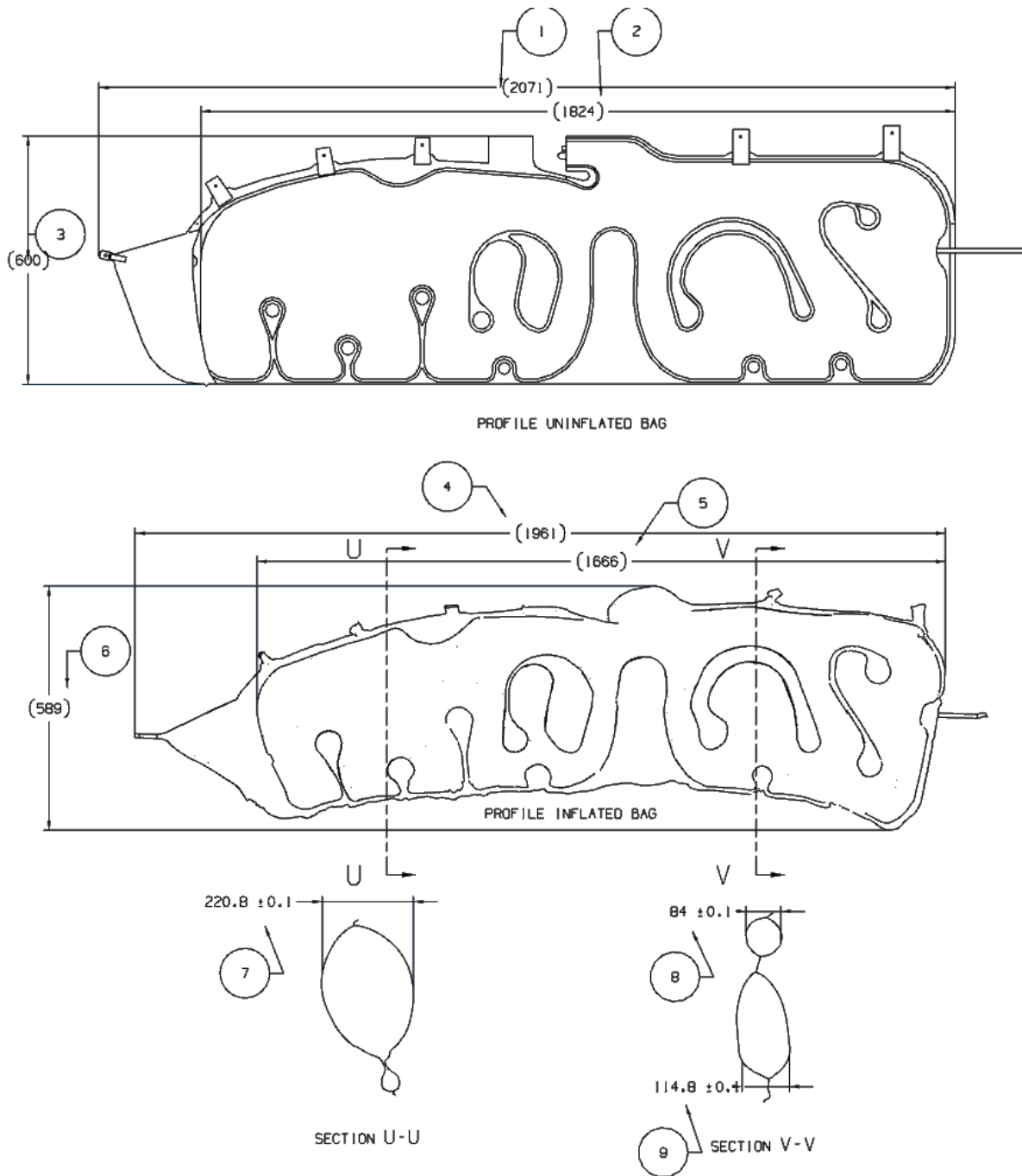


Figure 32: Side Curtain Airbag Deployment Zone

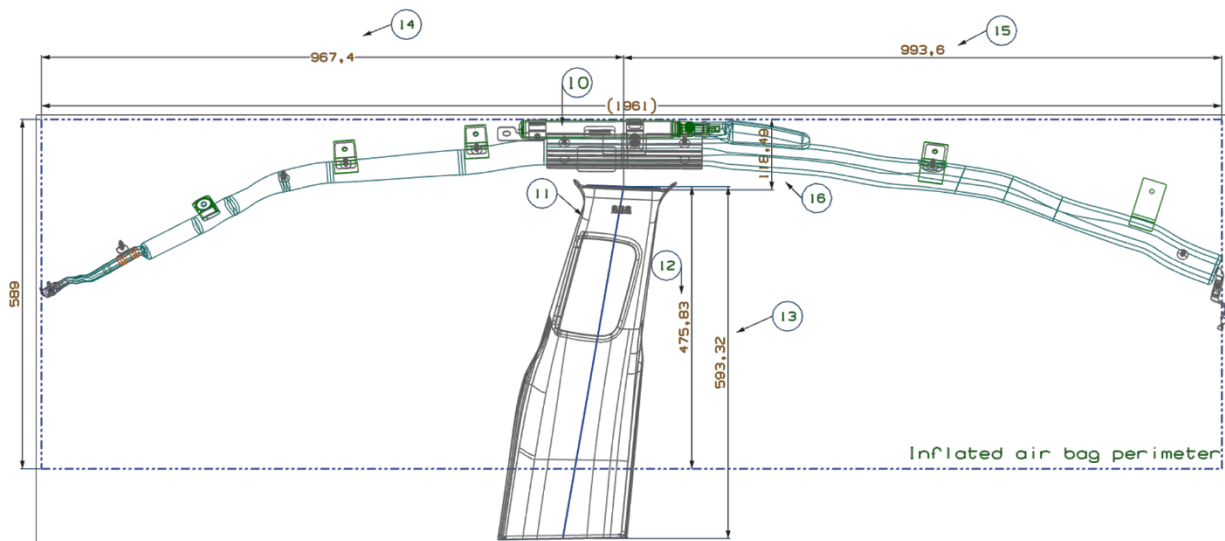


Figure 33: Side Curtain Airbag Deployment Zone

Table 5: Side Airbag Deployment Zone Reference Chart

Callout	Millimeters	Inches
1	2071	81.5
2	1824	71.8
3	600	23.6
4	1961	77.2
5	1666	65.6
6	589	23.2
7	220.8	8.7
8	84	3.3
9	114.8	4.5
10	Inflator	
11	B-Pillar	
12	475.83	18.7
13	593.32	23.4
14	967.4	38.1
15	993.6	39.1
16	118.49	4.7

WARNING: MAKE SURE ADEQUATE SPACE IS AVAILABLE FOR AIRBAG DEPLOYMENT. DO NOT MOUNT EQUIPMENT OR ROUTE WIRES IN A WAY THAT WILL IMPEDE SIDE CURTAIN AIRBAG DEPLOYMENT.

Side Airbag Deployment Zone

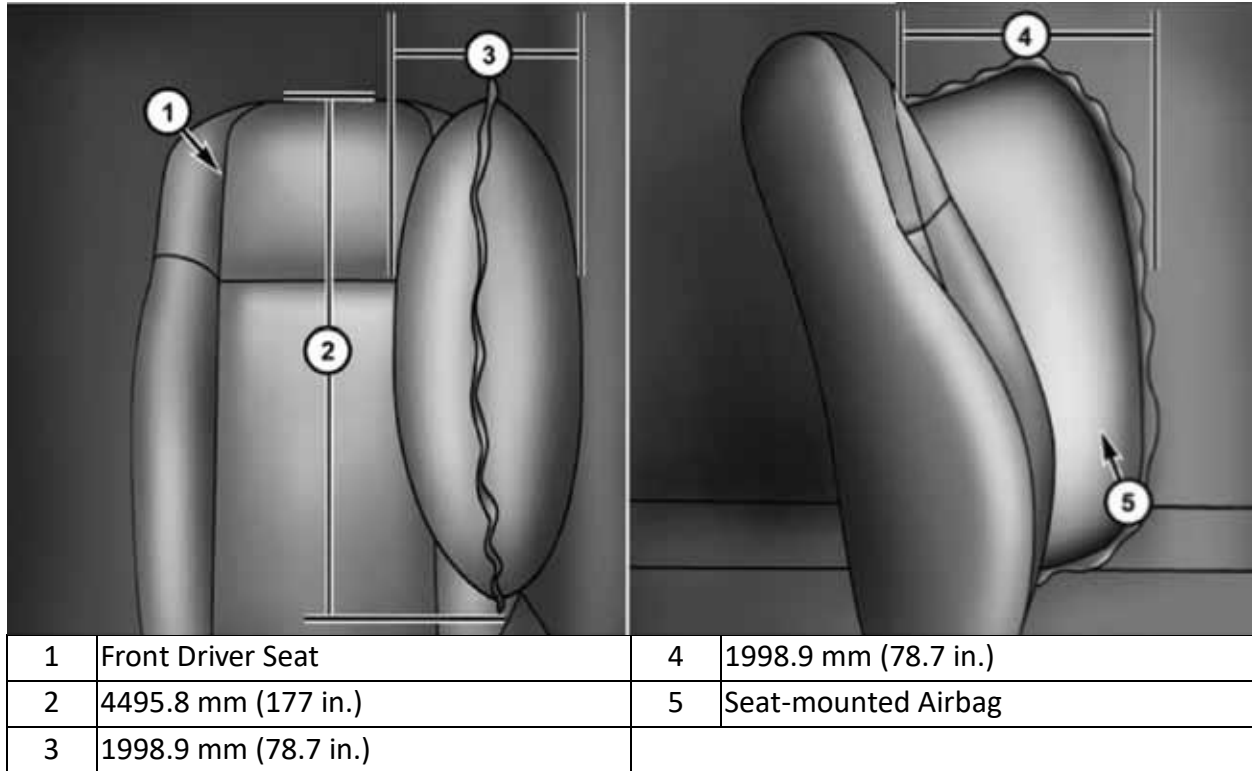


Figure 34: Side Seat-mounted Airbag Deployment Zone

NOTE: The illustration represents the maximum dynamic deployment shape.

Use caution when installing equipment along the roof side rails to avoid drilling or installing fasteners in the side curtain airbag area. Also make sure that no equipment interferes with the airbag deployment areas.

If additional wiring needs to be routed on the sides of the roof, take care that the installed harness does not impede the airbag deployment. Point fasteners used to attach roof-mounted equipment outward from the passenger compartment to minimize risk of head injury and to avoid altering the head impact protection system (FMVSS 201) that is standard on these vehicles. Do not allow fasteners to extend into the passenger compartment, even between the roof and headliner.

CAUTION: It is imperative that all occupant restraint system components remain in their original location and orientation. Any modification, removal, or relocation of components may be detrimental to the occupant restraint system performance and is prohibited. Any vehicle modifications that may affect the occupant restraint system characteristics should be verified through vehicle calibration/impact testing.

Occupant Restraint System Wiring

All occupant restraint system wiring must remain intact and may not be used for any other purpose. This includes the driver and front passenger seat wiring. Any electrical connector that is yellow is part of the occupant restraint system and should not be modified or used for other purposes.

Occupant Restraint System Verification

After any modification work is complete, confirm the occupant restraint system readiness as follows: turn the ignition key to the ON position. The airbag lamp in the instrument cluster illuminates for 6 to 8 seconds, and then turns off. If the airbag lamp fails to illuminate, repeatedly cycles on and off, or does not turn off, have the condition corrected by an authorized FCA dealership before shipping the vehicle to the customer.

VEHICLE STORAGE

General Storage Recommendations

If a vehicle is not immediately delivered to the customer, store the vehicle according to the following guidelines:

- Store the vehicle indoors, in a clean and dry place.
- Check the engine coolant and anti-freeze protection.
- Leave the parking brake in the OFF position
- Check the vehicle tire pressures and inflate them to the maximum recommended levels. To help avoid flat spotting, move the vehicle at least once a month so that a different portion of the tire tread contacts the ground

If vehicles must be stored outside:

- Avoid storage locations near obvious sources of industrial or environmental contamination (such as trees, factories, steam or vapor vents, railroad tracks, etc.).
- Maintain tight security to help prevent vandalism. Inspect the vehicle regularly to check for such damage.
- If the vehicle must be parked on an incline, park it with the front end higher than the rear.
- This prevents hydrostatic lock caused by fuel draining into the engine.
- Rinse the vehicle at least once a week. Wash away the snow more often because it can trap harmful contaminants. Dry all horizontal surfaces.
- Remove the negative battery cable by removing the ground connection nut to prevent battery drain and possible damage.
- Keep all windows closed, all doors locked, and all trim covers intact and in place.
- Do not use chalk, crayon, or any marker containing abrasives on painted, plated, or glass surfaces.
- Use protective, thin, plastic film to avoid soiling seats when moving a vehicle.

Battery Maintenance

The Dodge Durango Pursuit vehicle does not have an ignition off draw (IOD) fuse as in some other models. Therefore, the negative battery cable should be removed from the intelligent battery sensor to prevent draining the battery during extended vehicle storage. Only loosen the ground connection nut from the intelligent battery sensor to remove the negative battery cable.

WARNING: THE BATTERY IN THIS VEHICLE HAS A VENT HOSE THAT SHOULD NOT BE DISCONNECTED AND SHOULD ONLY BE REPLACED WITH A BATTERY OF THE SAME TYPE (VENTED). FAILURE TO FOLLOW THIS WARNING CAN RESULT IN SERIOUS OR FATAL INJURY.

Once a month:

- Check the battery state for charge (at least 12.4 volts). Charge the battery as necessary to help prevent freezing and deterioration.
- Make sure that the battery vent tube is properly connected to the battery and to the floor pan.

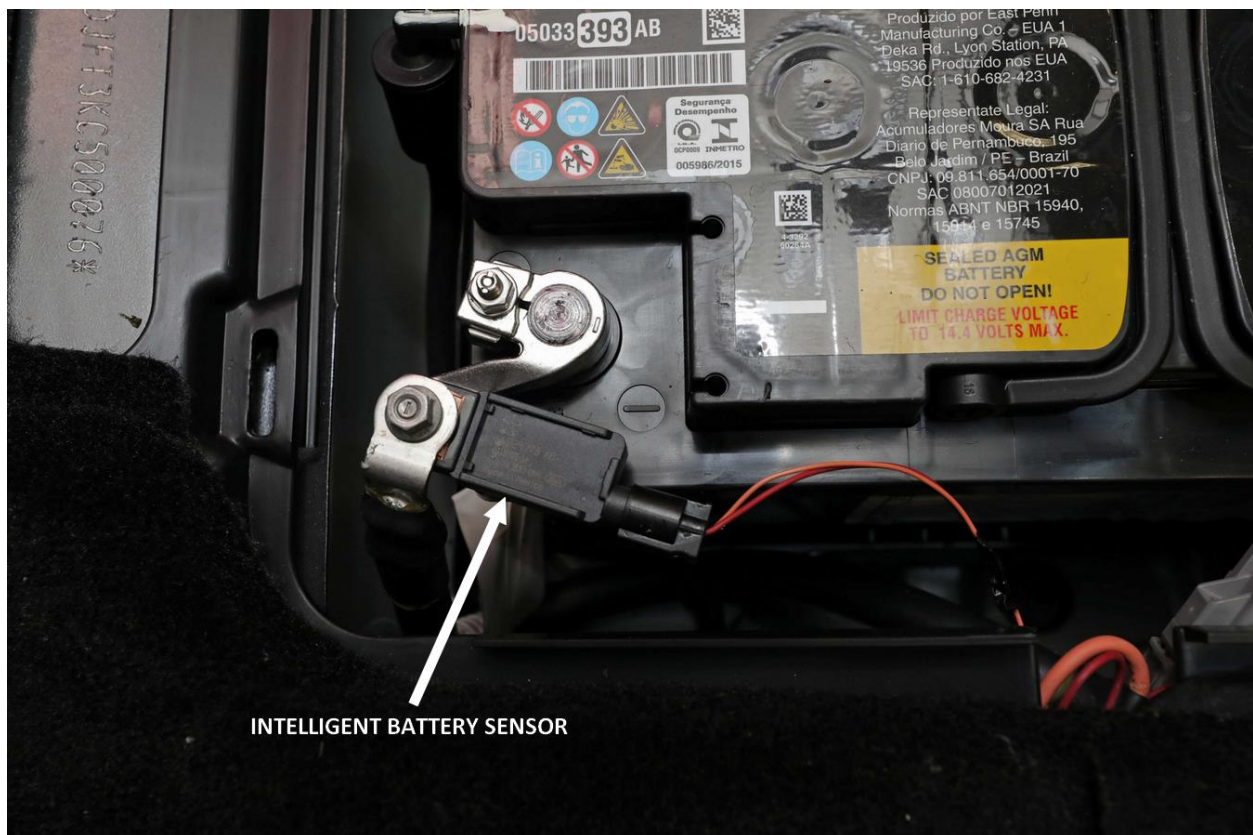


Figure 35: Intelligent Battery Sensor

Shipping Mode

The Dodge Durango Pursuit body control module has a Shipping Mode for transporting or storing for a long period of time, and for the time between when the vehicle leaves the factory and is ready for use by the customer. The vehicle will come from the factory in Shipping mode.

Turn the hazard lamps on and press/hold the up arrow on the steering wheel electronic vehicle information center (EVIC) controls until the vehicle enters or exits shipping mode. Note that this procedure is only possible while the vehicle has relatively low mileage. If the procedure fails, threshold mileage has most likely been exceeded. You can also enable/disable the vehicle from Shipping Mode by using the scan tool: go to BCM then Misc. functions.

In all cases, if shipping mode is no longer available for a vehicle, to reduce battery drain follow the battery disconnection recommendation described in the battery maintenance section above.



FIAT CHRYSLER AUTOMOBILES

The special service tools referred to herein are required for certain service operations. These special service tools or their equivalent, if not obtainable through a local source, are available through the following outlet:

Mopar Essential Tools and Service Equipment

Snap-on Business Solutions

Telephone 1-855-298-2687

2801-80th Street Kenosha, WI 53143, U.S.A.

FAX 1-855-303-8985



**ESSENTIAL TOOLS AND
SERVICE EQUIPMENT**

www.moparesentialtools.com



**WE ENCOURAGE
PROFESSIONALISM**



**THROUGH TECHNICIAN
CERTIFICATION**



No part of this publication may be reproduced, stored in a retrieval system or transmitted, in any form or by any means, electronic, mechanical, photocopying, recording, or otherwise, without the prior written permission of FCA GROUP.

FCA GROUP reserves the right to make changes from time to time, without notice or obligation, in prices, specifications, colors and materials, and to change or discontinue models. See your dealer for the latest information.

Copyright © 2019 FCA GROUP

Upfitter Guide Revision 7/8/2019